

BFV-BFR Series



- **Hot water storage calorifier/Buffer tank with removable shell and tube exchanger (1, 2 or 3 removable heat exchanger).**
- **Available in Stainless steel both 316L or 316Ti or high quality carbon steel with enamel or ceramic lining protection.**
- **Available also tailored made solutions > 5,000 lt**
- **Insulation in polyester fiber fleece or expanded polystyrene with external finishing in PVC or embossed aluminum plate**

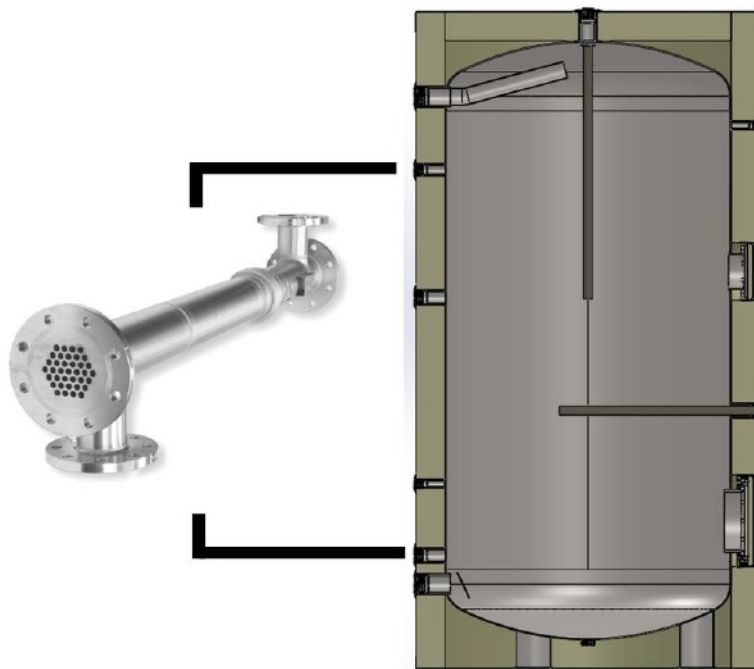
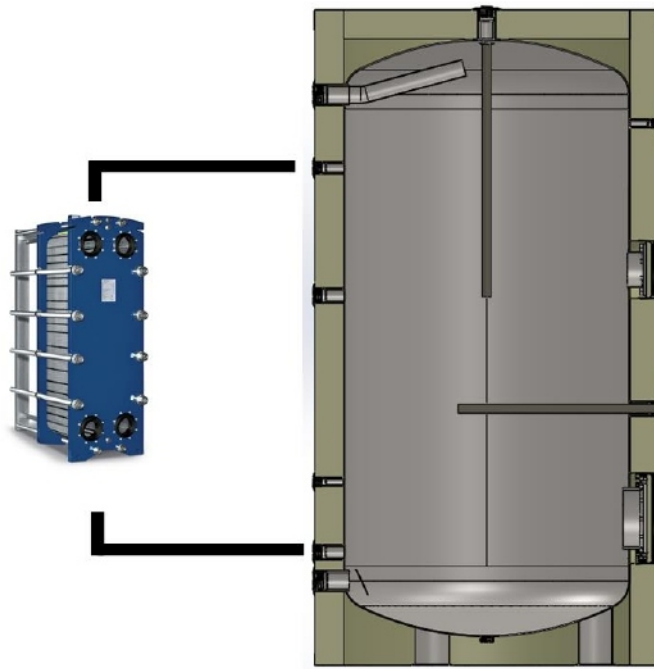


EXAMPLE WITH REMOVABLE HEAT EXCHANGER

TECHNICAL DATA SHEET
BFV-I Type STAINLESS STEEL Vertical Hot Water Storage Calorifier
2000 LT CAPACITY 3x12 electric resistance (1 spare part)

DIMENSIONAL DATA		
Type		BFVV- I Vertical Hot Water Storage Calorifier
Capacity	Lts	2000
Material		Stainless steel 316Ti
Diameter with ins.	mm	1100
Tot. height	mm	2435
Norms - Laws ref.		Product conforms to art. 4.3 of European directive 2014/68/UE (P.E.D.)
Dish ends type		Torispherical Pressed
TREATMENT DATA		
Type		Top quality AISI 316 Ti of appropriate thickness for withstanding working and testing pressure, subjected to pickling and passivation chemical surface treatments according to ASTM A 380/06
Norms - Laws ref.		Suitable for contact with drinking water in accordance to the UE directive 76/893/EEC
PRIMARY DATA (BOTTOM HEAT EXCHANGERS)		
Type		Steam SS 316L U tube
Heating surface	m ²	1.5
Power output	Kw	160
Max.working temperature	°C	164.96
Max working Pressure	bar	6
SECONDARY DATA (TANK)		
Max working Temperature	°C	95°
Max working Pressure	bar	6
Pressure Test	bar	9
INSULATION DATA		
Type		Expanded sintered polystyrene
Thickness	mm	100
Initial Thermic conductivity	W/mk	0.024
FINISHING		
Type		Embossed aluminium plate
GALVANIC PROTECTION		
Type		Impressed current cathodic protection
Cap dia.		1"1/4

**AVAILABLE ALSO FOR EXTERNAL HEAT EXCHANGER
BOTH PLATE AND SHELL & TUBE**



EXAMPLE WITH REMOVABLE HEAT EXCHANGER

TECHNICAL DATA SHEET

**SONLC-PHE Model STAINLESS STEEL AISI 316Ti Vertical DHW Storage Tank with steam PHE
2000 lt CAPACITY with 3x12 Kw electric resistance**

DIMENSIONAL DATA		
Type		SONLC-PHE DHW Storage Tank with PHE
Capacity	Lts	2000
Material		Stainless steel AISI 316Ti
Diameter with ins.	mm	1100
Tot. height	mm	2435
Norms - Laws ref.		Product conforms to art. 4.3 of European directive 2014/68/UE (P.E.D.)
Dish ends type		Torispherical Pressed
TREATMENT DATA		
Type		Top quality AISI 316Ti type of appropriate thickness for withstanding working and testing pressure, subjected to pickling and passivation chemical surface treatments according to ASTM A 380/06
Norms - Laws ref.		Suitable for contact with drinking water in accordance to the UE directive 76/893/EEC
PRIMARY DATA (PHE)		
Type		Steam SS Gasketed
Power output	Kw	160
Working temperature	°C	158.9
Working Pressure	bar	6
SECONDARY DATA (TANK)		
Max working Temperature	°C	95°
Max working Pressure	bar	6
Pressure Test	bar	9
INSULATION DATA		
Type		Expanded sintered polystyrene (EPS)
Thickness	mm	100
Initial Thermic conductivity	W/mk	0.024
FINISHING		
Type		Embossed aluminium plate